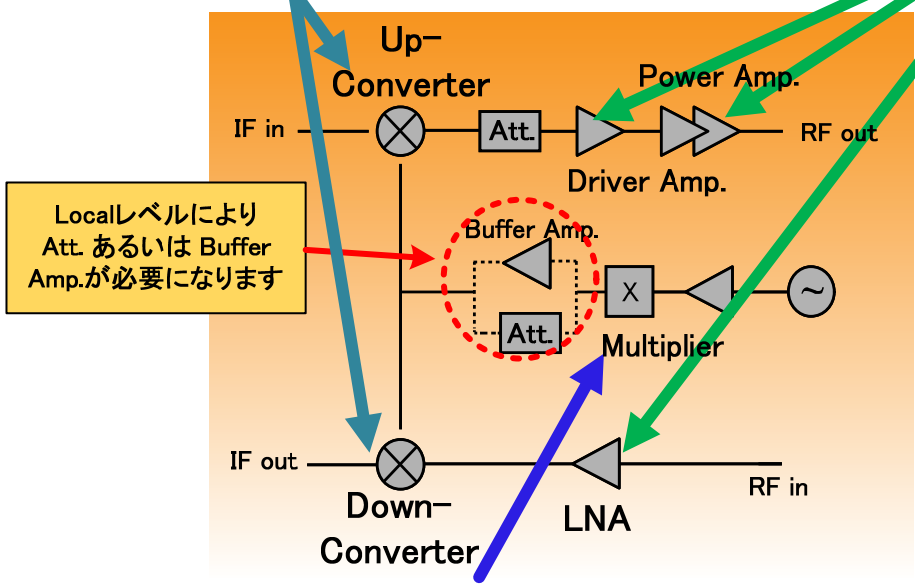


# 60GHz Band Device Selection

Function	Mixer
Parts Number	CHM1298-99F
Process	pHEMT 0.25um gate length
RF Low-High Freq. (GHz)	55.0-65.0
Lo Low-High Freq. (GHz)	27.5-32.5
IF Low-High Freq. (GHz)	DC-5.0
Conv. Loss (dB)	12.0
P-1dB IN (dBm)	+0.0
Lo Input Power (dBm)	+10.0
Bias (mA)@(V)	90@3.5
Case	Die
	I-Q Mixer (Sub-Harmonics Mixer)

Function	Low Noise/ Medium Power amplifier
Parts Number	CHA2159-99F
Process	pHEMT 0.15um gate length
RF Low-High Freq. (GHz)	55.0-65.0
Gain(dB)	20.0
Gain Flatness (+/- dB)	1.0
Noise Figure (dB)	4.0
P-1dB OUT (dBm)	14.0
Bias (mA)@(V)	115@3.5
Case	Die



Function	X2 Multiplier
Parts Number	CHX3068-QDG
Process	pHEMT 0.25um gate length
Low-High Freq. Input (GHz)	14-15
Low-High Freq. Output (GHz)	<u>28-30</u>
Input Power (dBm)	5.0
Output Power (dBm)	20.0
Bias (mA)@(V)	270@4.0
Case	<u>QFN package</u>

Function	X4 Multiplier
Parts Number	CHX2095a99F
Process	pHEMT 0.25um gate length
Low-High Freq. Input (GHz)	6.25-8.25
Low-High Freq. Output (GHz)	<u>25.0-33.0</u>
Input Power (dBm)	12.0
Output Power (dBm)	11.0
Bias (mA)@(V)	75@3.5
Case	<u>Die</u>

\*Narrow band  
\*Plastic package

\*Wide band  
\*Bare die

\*Multiplierは、装置の実装方法および周波数帯域によりお選びください。